




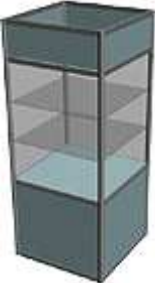









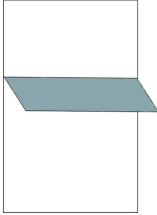




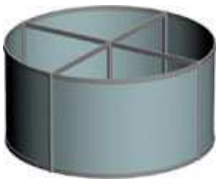

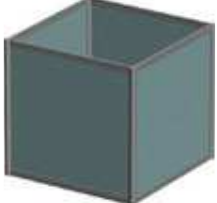

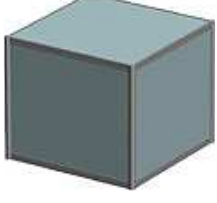





**List of additional equipment of the stand**

|                                                                                                                                                                             |                                                                                                                                                                                                                                                                                                                   |
|-----------------------------------------------------------------------------------------------------------------------------------------------------------------------------|-------------------------------------------------------------------------------------------------------------------------------------------------------------------------------------------------------------------------------------------------------------------------------------------------------------------|
| <p>1. Table 700x700</p> <p align="right">19.00</p>                                         | <p>7. Show case horizontal, 1shelf<br/>1000 x 500 x 1000 /with<br/>light</p>  <p align="right">65.00/<br/>79.00</p>                                                                                                            |
| <p>2. Chair</p> <p align="right">15.00</p>                                                 | <p>8. Show case horizontal 500 x<br/>500 x 1000 / with light</p> <p>9. Show case horizontal 1000 x<br/>1000 x 1000 / with light</p>  <p align="right">51,00/<br/>65.00</p> <p align="right">79,00<br/>/94.00</p>               |
| <p>3. Case with shelf<br/>1000 x 500 x 1100</p>  <p align="right">55,00</p>               | <p>10. Show case vertical, 2<br/>shelves 1000 x 1000 x 2500<br/>(with light)</p> <p>11. Show case vertical, 2<br/>shelves 1000 x 1000 x 2500<br/>(without light)</p>  <p align="right">158.00</p> <p align="right">129,00</p> |
| <p>4. Case with shelf<br/>and door 1000 x<br/>500 x 1100</p>  <p align="right">64,00</p> | <p>12. Show case vertical, 2<br/>shelves 1000 x 500 x 2500<br/>(with light)</p> <p>13. Show case vertical, 2<br/>shelves 1000 x 500 x 2500<br/>(without light)</p>  <p align="right">144,00</p> <p align="right">115,00</p>  |
| <p>5. Bar rack 1000 x<br/>500 x 1100</p>  <p align="right">86,00</p>                     | <p>14. Show case vertical, 2<br/>shelves 500 x 500 x 2500 (with<br/>light)</p> <p>15. Show case vertical, 2<br/>shelves 500 x 500 x 2500<br/>(without light)</p>  <p align="right">101,00</p> <p align="right">87,00</p>     |
| <p>6. Bar chair</p> <p align="right">19,00</p>                                           | <p>16. Shelving , 3 shelves 1000 x<br/>500 x 2500 (h) mm</p>  <p align="right">79,00</p>                                                                                                                                     |

|                                                                                                                                                                                                                |                                                                                                                                                                                                            |
|----------------------------------------------------------------------------------------------------------------------------------------------------------------------------------------------------------------|------------------------------------------------------------------------------------------------------------------------------------------------------------------------------------------------------------|
| <p>17. Door</p>  <p>87,00</p>                                                                                                  | <p>27. Curtain</p>  <p>15,00</p>                                                                                         |
| <p>18. Sliding door</p>  <p>65,00</p>                                                                                         | <p>28. Hanged-up shelf 1000x300</p>  <p>15,00</p> <p>29. Glass hanged-up shelf 1000x300</p> <p>19,00</p>                |
| <p>19. Wall panel 2500 x 1000 mm</p>  <p>26,00</p>                                                                            | <p>30. Moving coat hanger</p>  <p>30,00</p>                                                                             |
| <p>20. Wall panel 2500 x 500 mm</p>  <p>19,00</p>                                                                            | <p>31. Hanger per 1 m</p>  <p>15,00</p>                                                                                |
| <p>21. Element "CYLINDER" R=500 x 1000(h)</p>  <p>65,00</p> <p>22. Element "CYLINDER" R=1000 x 1000(h)</p> <p>115,00</p>    | <p>32. Element "ELLIPSE" R=700 x 1000(h)</p>  <p>65,00</p> <p>33. Element "ELLIPSE" R=1000 x 1000(h)</p> <p>72,00</p> |
| <p>23. Element "CUBE" 1000 x 1000 x 1100 mm</p>  <p>58,00</p> <p>24. Element "CUBE" 1400 x 1400 x 1100 mm</p> <p>115,00</p> | <p>34. Podium 1000x500 h-300.500.750.860.1000.1100</p>  <p>44,00</p>                                                  |
| <p>25. Podium 1000x1000 h-300.500.750.860.1000</p>  <p>65,00</p>                                                            | <p>35. Triangular podium 1000 x 1000</p>  <p>58,00</p>                                                                |
| <p>26. Podium 500x500 h-300.500.750.860.1000</p>  <p>36,00</p>                                                              | <p>36. Triangular podium 500 x 500</p>  <p>32,00</p>                                                                  |

|    |                                                                    |                   |
|----|--------------------------------------------------------------------|-------------------|
| 37 | Direct informational mail (post 7000 address)                      | 335,00            |
| 38 | Coat hanger                                                        | 19,00             |
| 39 | Isolated stand for promotional materials and booklets              | 36,00             |
| 40 | Show case rounded with 2 shelves 1/4R=500, h=2500                  | 137,00            |
| 41 | Show case rounded with 2 shelves 1/4R=500, h=2500(with light)      | 151,00            |
| 42 | Show case rounded with 2 shelves 1/4R=1000, h=2500                 | 213,00            |
| 43 | Show case rounded with 2 shelves 1/4R=1000, h=2500(with light)     | 227,00            |
| 44 | Show case triangular with 2 shelves 1000 x 1000 x 2500 mm          | 58,00             |
| 45 | Show case triangular with 2 shelves 500 x 500 x 2500 mm            | 39,00             |
| 46 | Jalousie, horizontal, white, 1000 x 2500 mm                        | 22,00             |
| 47 | Jalousie, horizontal, white, 500 x 1900 mm                         | 12,00             |
| 48 | Hanged-up ceiling, per 1 sq.m.                                     | 29,00             |
| 49 | Frieze panel 1000 x 300 mm                                         | 15,00             |
| 50 | Frieze panel 1000 x 300 mm with building up higher than 2,5 m      | 25,00             |
| 51 | Panel transparent 1000 x 2500 mm, polycarbonate/ acryl             | 56,00/ 107,00     |
| 52 | Panel with mirror 500 x 2500 mm, polycarbonate/ acryl              | 28,00/ 52,00      |
| 53 | Panel with mirror 1000 x 2500 mm                                   | 41,00             |
| 54 | Panel with glass 1000 x 2500 mm                                    | 36,00             |
| 55 | Panel with glass 500 x 2500 mm                                     | 22,00             |
| 56 | Table d=800                                                        | 19,00             |
| 57 | Bar table d=600 mm, h=1140 mm                                      | 51,00             |
| 58 | Single-phase wall outlet (220V / 50Hz / 1kW) at non-equipped stand | 44,00             |
| 59 | Single-phase wall outlet (220 V/ 50Hz/ 1 kW) at equipped stand     | 15,00             |
| 60 | Three-phase wall outlet (380 V/ 50Hz/ 6 A) at non-equipped stand   | 72,00             |
| 61 | Three-phase wall outlet (380 V/ 50Hz/ 6 A) at equipped stand       | 36,00             |
| 6  | Electric lengthener 3 m                                            | 15,00             |
| 63 | Logotype, 1 sq.m. (ORACAL)                                         | 39,00             |
| 64 | Spotlight 100 V / with bracket                                     | 14,00/22.00       |
| 65 | Halogen lamp 150 V / with bracket                                  | 29,00/36,00       |
| 66 | Halogen lamp 300 V / with bracket                                  | 36,00/44,00       |
| 67 | Luminous lamp 40/30/20 V                                           | 26,00/23,00/20,00 |
| 68 | Lamp for illumination of shelves (30 V)                            | 15,00             |
| 69 | Extra letters for frieze (per 1 letter)                            | 1,50              |
| 70 | TV set & video player                                              | 87,00             |
| 71 | Cooler + 1 bottle of water (19L)                                   | 72,00             |
| 72 | Drinking water 19 L.                                               | 11,00             |
| 73 | Teapot                                                             | 15,00             |
| 74 | Coffee-machine                                                     | 28,00             |
| 75 | Microwave oven                                                     | 43,00             |
| 76 | Refrigerator                                                       | 86,00             |
| 77 | Artificial tree                                                    | 29,00             |
| 78 | Internet connection, 512 kb                                        | 95,00             |

**Prices in EURO, all taxes included**